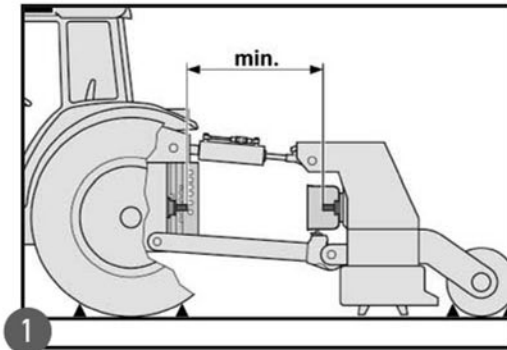


# **TECHNICAL BULLETIN**

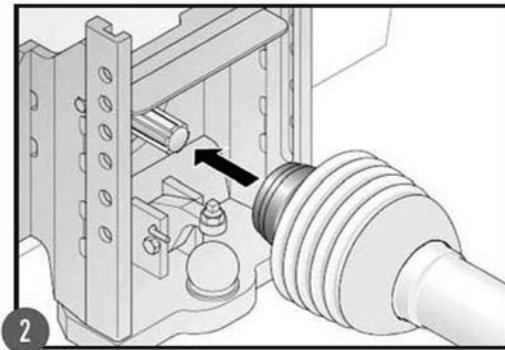
## ***Driveline Length Adjustment***

It may be necessary to cut this driveline to length. Verify the length by ensuring that sufficient overlap of the drive tubes exists in all working positions without the possibility of bottoming out.

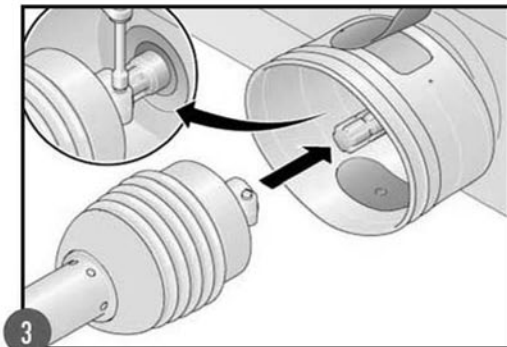
### ***Driveline Length Adjustment***



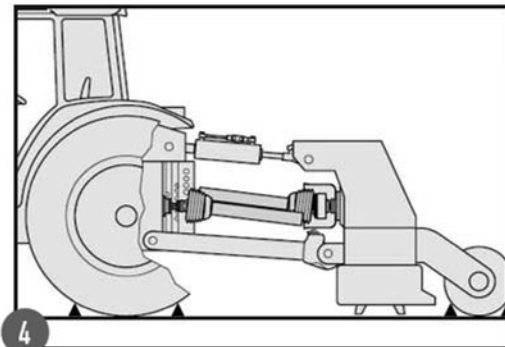
Attach implement to tractor.



Slide PTO drive shaft onto tractor power take-off shaft until lock engages automatically.



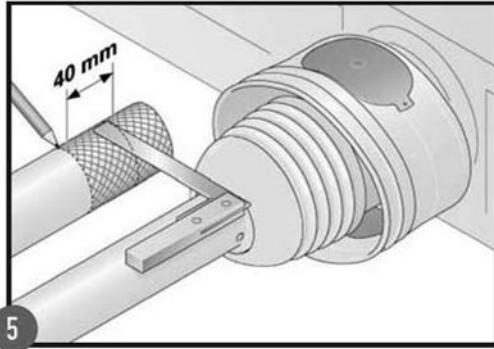
Slide PTO drive shaft onto the implement/machine point of implement connection and securely lock.



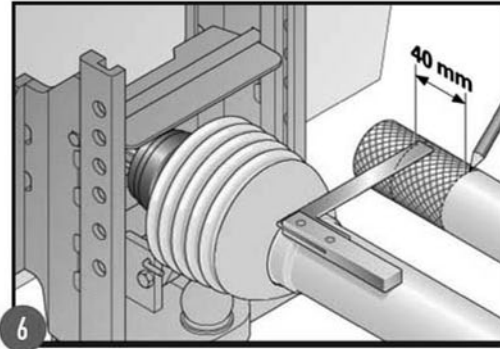
For length adjustment, hold PTO drive shaft halves next to each other in shortest operating position.

Continued on next page.

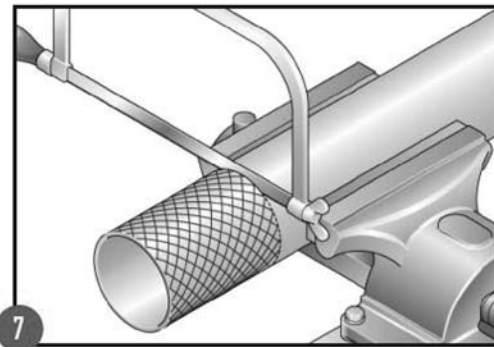
# **TECHNICAL BULLETIN**



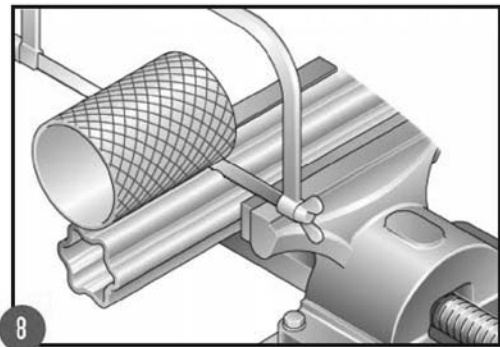
5 Mark PTO drive shaft outer guard half as illustrated in Fig. 5.



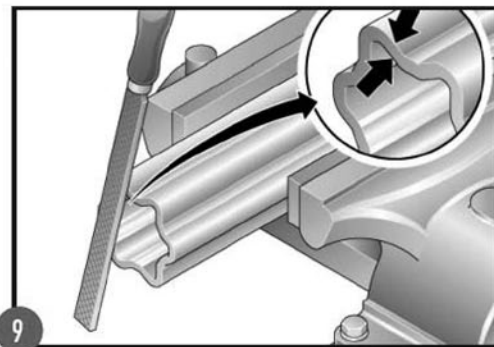
6 Mark PTO drive shaft inner guard half as illustrated in Fig. 6.



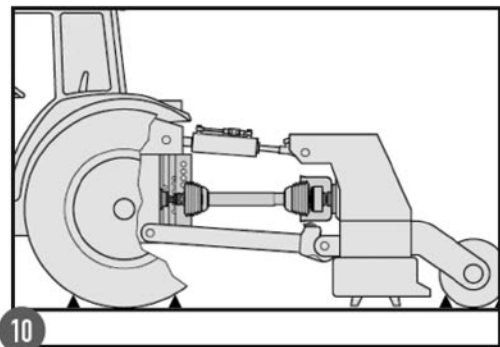
7 Shorten inner and outer guard tube by equal lengths.



8 Shorten inner and outer telescopic section by same length as guard tube.



9 Deburr the inside and outside of the inner and outer telescopic sections and carefully remove debris. Grease the telescopic sections.



10 Assemble PTO drive shaft and then install between tractor and implement/machine. Ensure that sufficient overlap of the telescopic sections is guaranteed in all working positions.